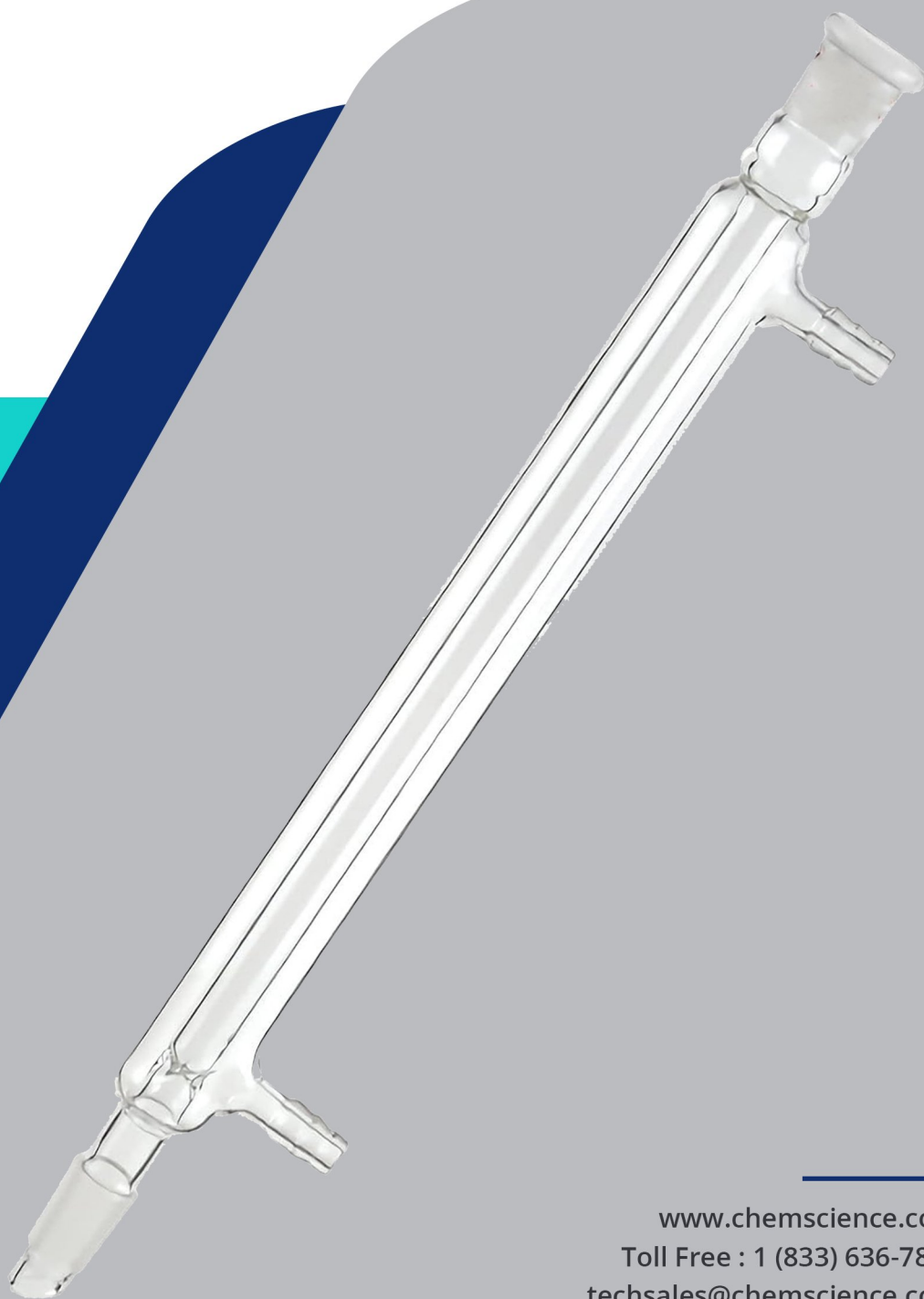


# COLUMN DISTILLATION



A distillation column is an essential item used in the distillation of liquid mixtures to separate the mixture into its component parts, or fractions, based on the differences in volatilities. Fractionating columns are used in small scale laboratory distillations as well as large scale industrial distillations.

## Column, Distilling, Hemple

- ▶ Plain distillation column with a row of indentations to assist column packing material
- ▶ Column length indexed is for the straight component above the row of indentations and under the joint
- ▶ Column has a standard taper top outer and lower internal joint



Catalog No.	Joint Size	Tube O.D. x Length	Pack Type
CS-C01228-01	14/20	10 X 130 mm	Each
CS-C01228-02	19/22	10 X 250 mm	Each
CS-C01228-03	24/40	12.5 X 300 mm	Each
CS-CO1228-04	24/40	25 X 300 mm	Each

## Column, Distilling, Vigreux

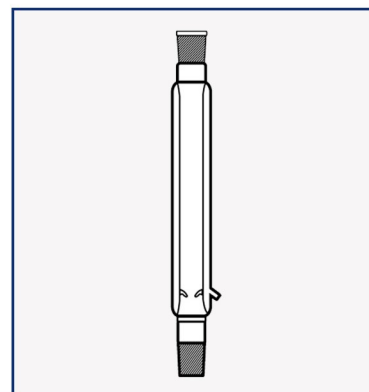
- ▶ A type of air condenser where the simple tube has been modified to include an abundance of downward-pointing indentations - this increases the surface area per unit length of the condenser
- ▶ Column length is measured from the highest to the lowest indent in the column.



Catalog No.	Indentation Length	Upper Joint	Lower Joint	Pack Type
CS-C0101075	75 mm	14/20	14/20	Each
CS-C0101100	100 mm	14/20	14/20	Each
CS-C0101420	120 mm	14/20	14/20	Each
CS-C0101922	120 mm	19/22	19/22	Each
CS-C0101923	300 mm	19/22	19/22	Each
CS-C0102441	120 mm	24/40	24/40	Each
CS-C0102442	200 mm	24/40	24/40	Each
CS-C0102443	300 mm	24/40	24/40	Each
CS-C0102446	600 mm	24/40	24/40	Each
CS-C0104150	150 mm	24/40	24/40	Each
CS-C0109130	130 mm	19/22	19/22	Each

## Column, Distilling, Vacuum Jacketed

- ▶ To improve performance
- ▶ Indentations on the inner tube support the packing material.



Catalog No.	Jacket Height	Joint Size	Pack Type
CS-C0161100	130 mm	14/20	Each
CS-C0169130	130 mm	19/22	Each
CS-C0169250	250 mm	19/22	Each
CS-C0164250	250 mm	24/40	Each
CS-C0164500	500 mm	24/40	Each

## Column, Distilling

- ▶ Indentations at the bottom for supporting packing material
- ▶ Jacket permits the column to be used as a condenser.



Catalog No.	Jacket Height	Column Overall Height	Joint Size	Pack Type
CS-C0171120	110 mm	180 mm	14/20	Each
CS-C0171200	200 mm	280 mm	14/20	Each
CS-C0179110	110 mm	200 mm	19/22	Each
CS-C0179200	200 mm	280 mm	19/22	Each
CS-C0174200	200 mm	330 mm	24/40	Each

## Column, Distilling, Vigreux, Jacketed

- ▶ Vigreux indents run the entire length of the column and act as the packing for the column. Jacketed version is pictured.



Catalog No.	Jacketed Length	Joint Size	Pack Type
CS-C0102443-J	300 mm	24/40	Each
CS-C0104150-J	150 mm	24/40	Each